

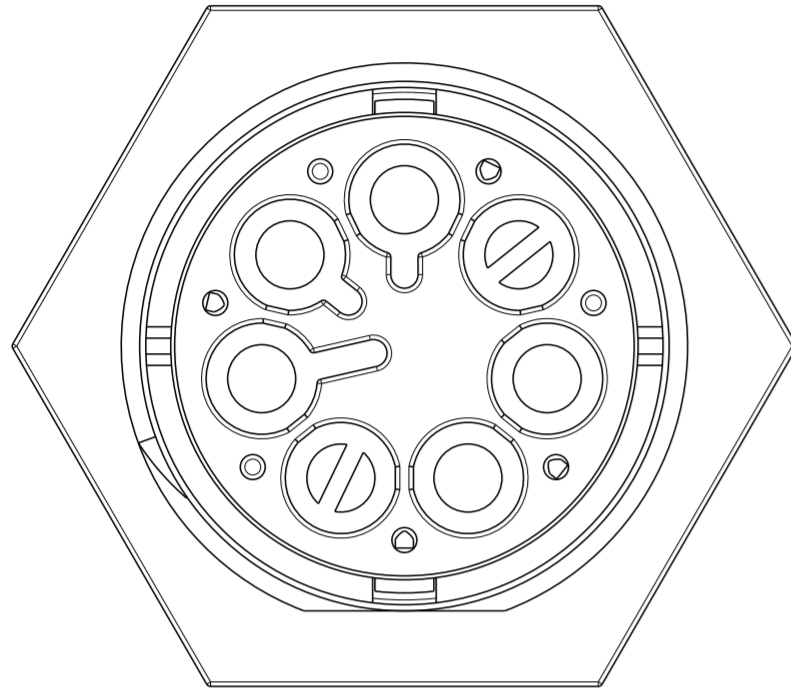


THIS DRAWING IS UNPUBLISHED. RELEASED FOR PUBLICATION 2011  
 © COPYRIGHT 2011 ALL RIGHTS RESERVED.

LOC	DIST	REVISIONS			
P	LTR	DESCRIPTION	DATE	DWN	APVD
		SEE SHEET 1			

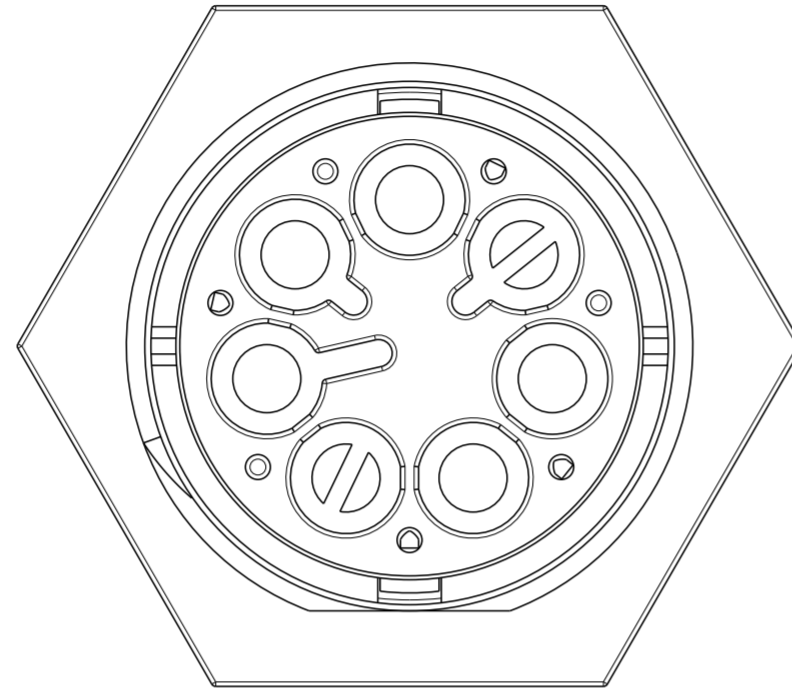
### POLARIZATION TYPES

POLARIZATION TYPE "A"



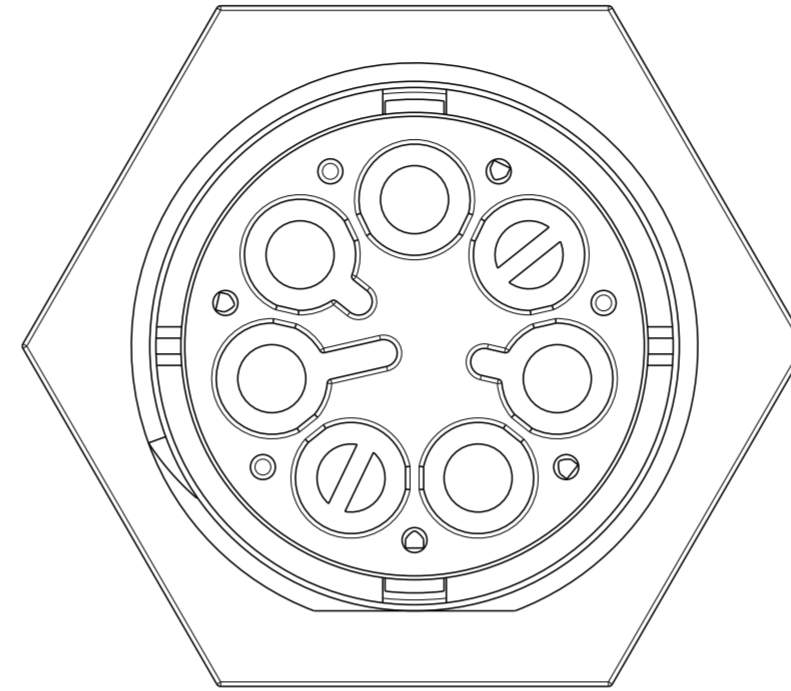
PNs 0-293688-1 AND  
1-293688-1

POLARIZATION TYPE "B"



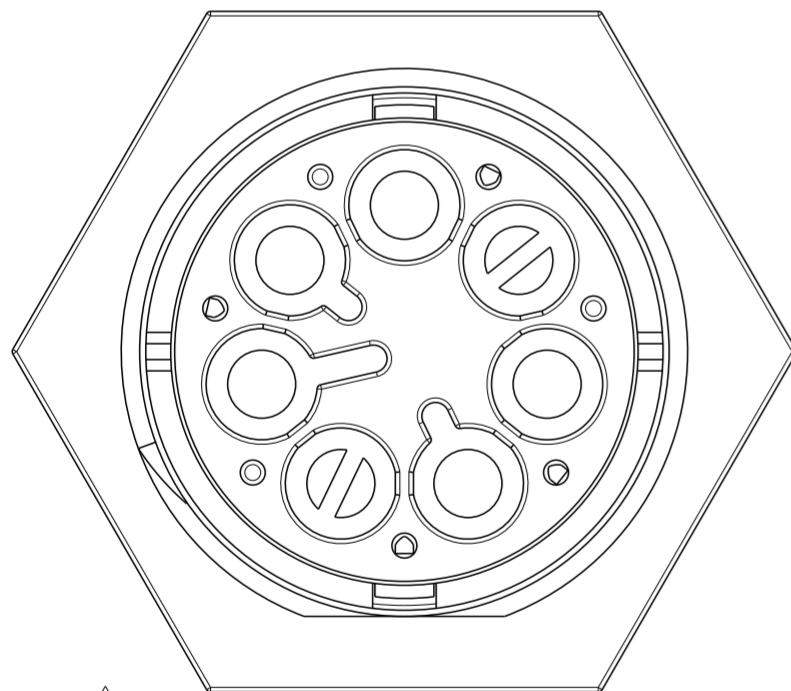
PNs 0-293688-2 AND  
1-293688-2

POLARIZATION TYPE "C"



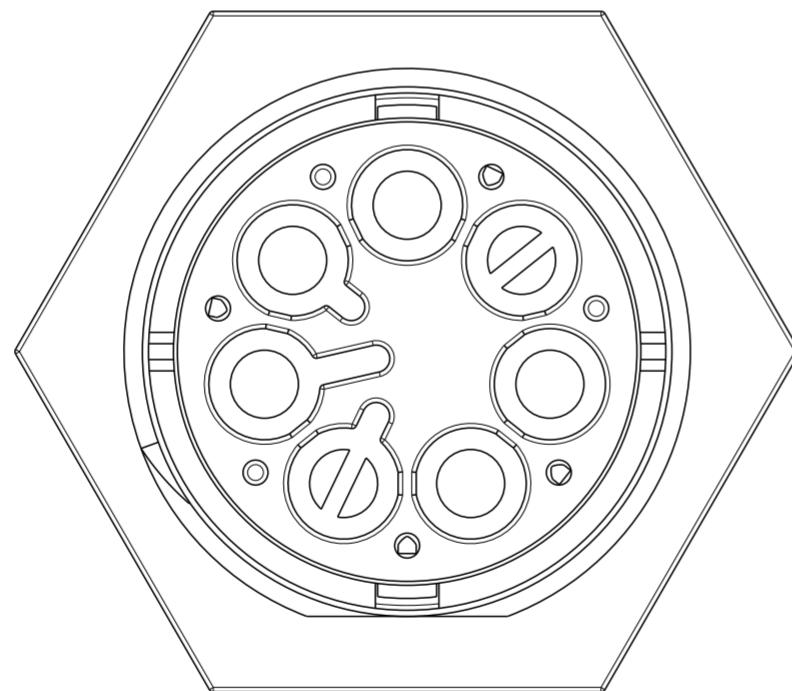
PNs 0-293688-3 AND  
1-293688-3

POLARIZATION TYPE "D"



PNs 0-293688-4 AND  
1-293688-4

POLARIZATION TYPE "E"



PNs 0-293688-5 AND  
1-293688-5

TABLE 1

NOTE	POL. KEYING	COLOUR	DESCRIPTION	REV.	P/N
	E	BLACK	PIN HSG 5 POLES PANEL MOUNT NECTOR* M-LINE	A	1-293688-5
	D	BLACK	PIN HSG 5 POLES PANEL MOUNT NECTOR* M-LINE	A	1-293688-4
	C	BLACK	PIN HSG 5 POLES PANEL MOUNT NECTOR* M-LINE	A	1-293688-3
	B	BLACK	PIN HSG 5 POLES PANEL MOUNT NECTOR* M-LINE	A	1-293688-2
	A	BLACK	PIN HSG 5 POLES PANEL MOUNT NECTOR* M-LINE	A	1-293688-1
	E	NATURAL	PIN HSG 5 POLES PANEL MOUNT NECTOR* M-LINE	A	0-293688-5
	D	NATURAL	PIN HSG 5 POLES PANEL MOUNT NECTOR* M-LINE	A	0-293688-4
	C	NATURAL	PIN HSG 5 POLES PANEL MOUNT NECTOR* M-LINE	A	0-293688-3
	B	NATURAL	PIN HSG 5 POLES PANEL MOUNT NECTOR* M-LINE	A	0-293688-2
	A	NATURAL	PIN HSG 5 POLES PANEL MOUNT NECTOR* M-LINE	A	0-293688-1

THIS DRAWING IS A CONTROLLED DOCUMENT.

DWN: M. ZUCCA 01APR2011  
 CHK: M. ZUCCA 01APR2011  
 APVD: G. TURCO 01APR2011

**STE** TE Connectivity

NAME: PIN HOUSING PANEL MOUNT  
 NECTOR\* M-LINE 5 POLES  
 UNSEALED VERSION

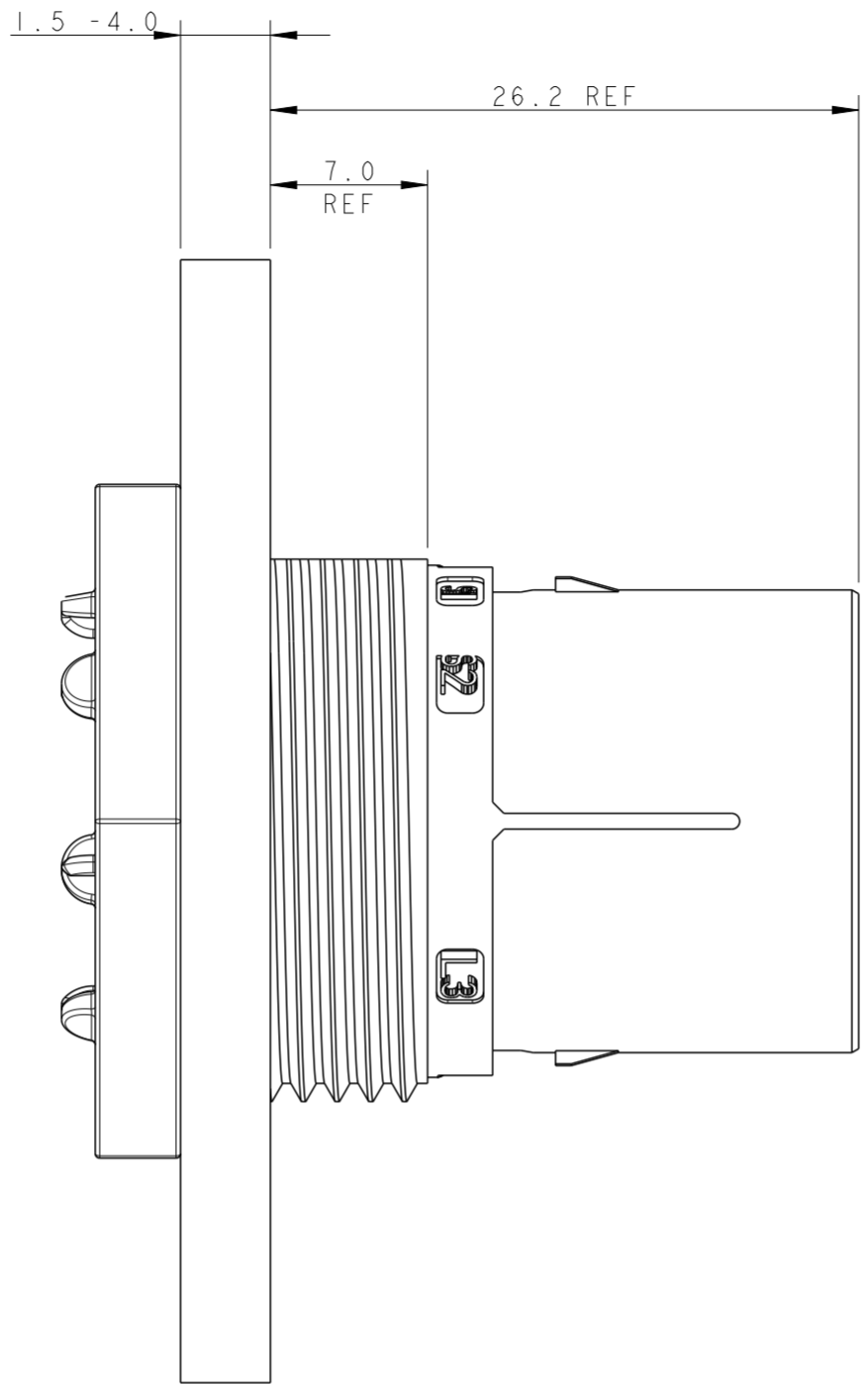
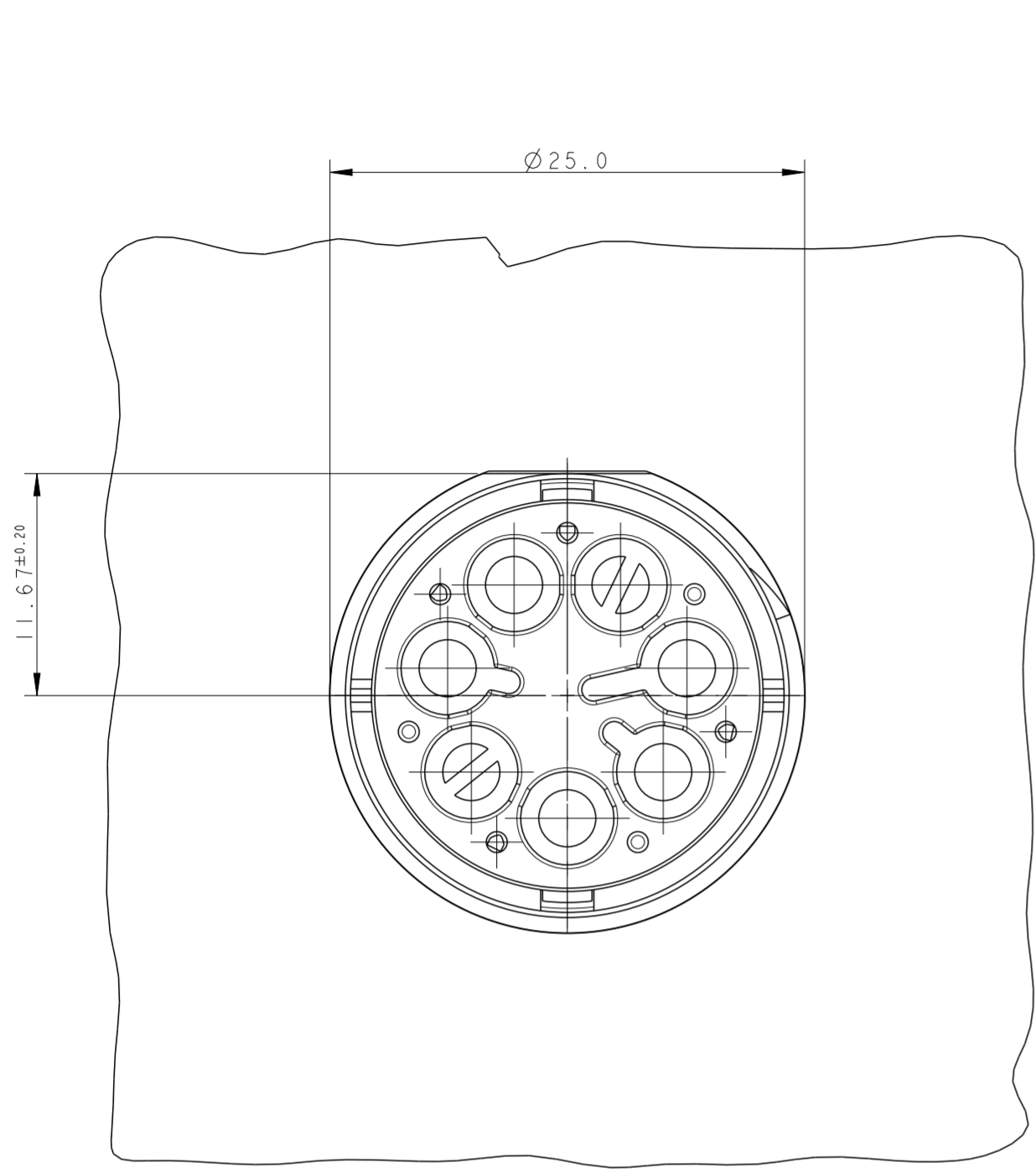
SIZE: A2 CAGE CODE: 0779 DRAWING NO: C-293688 RESTRICTED TO: -

MATERIAL: - FINISH: - WEIGHT: -

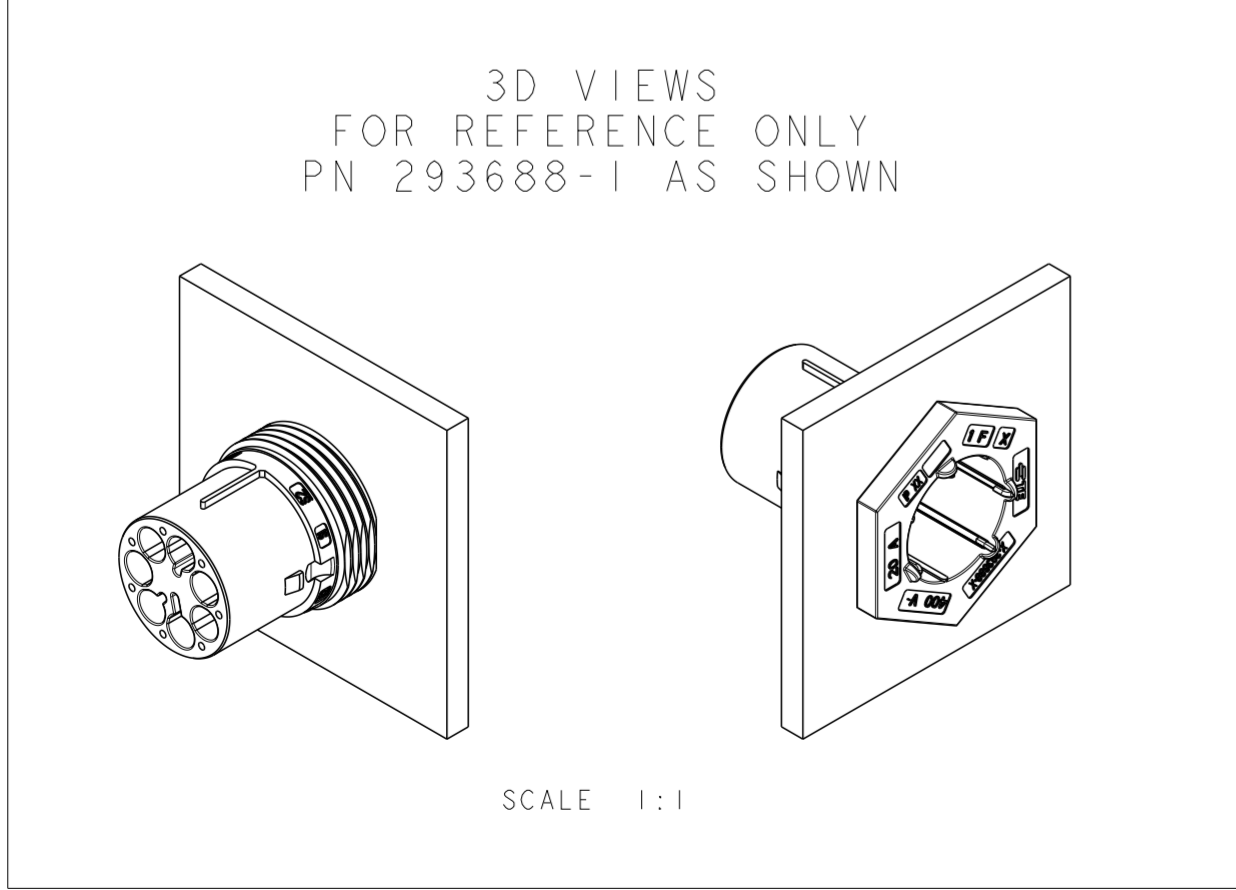
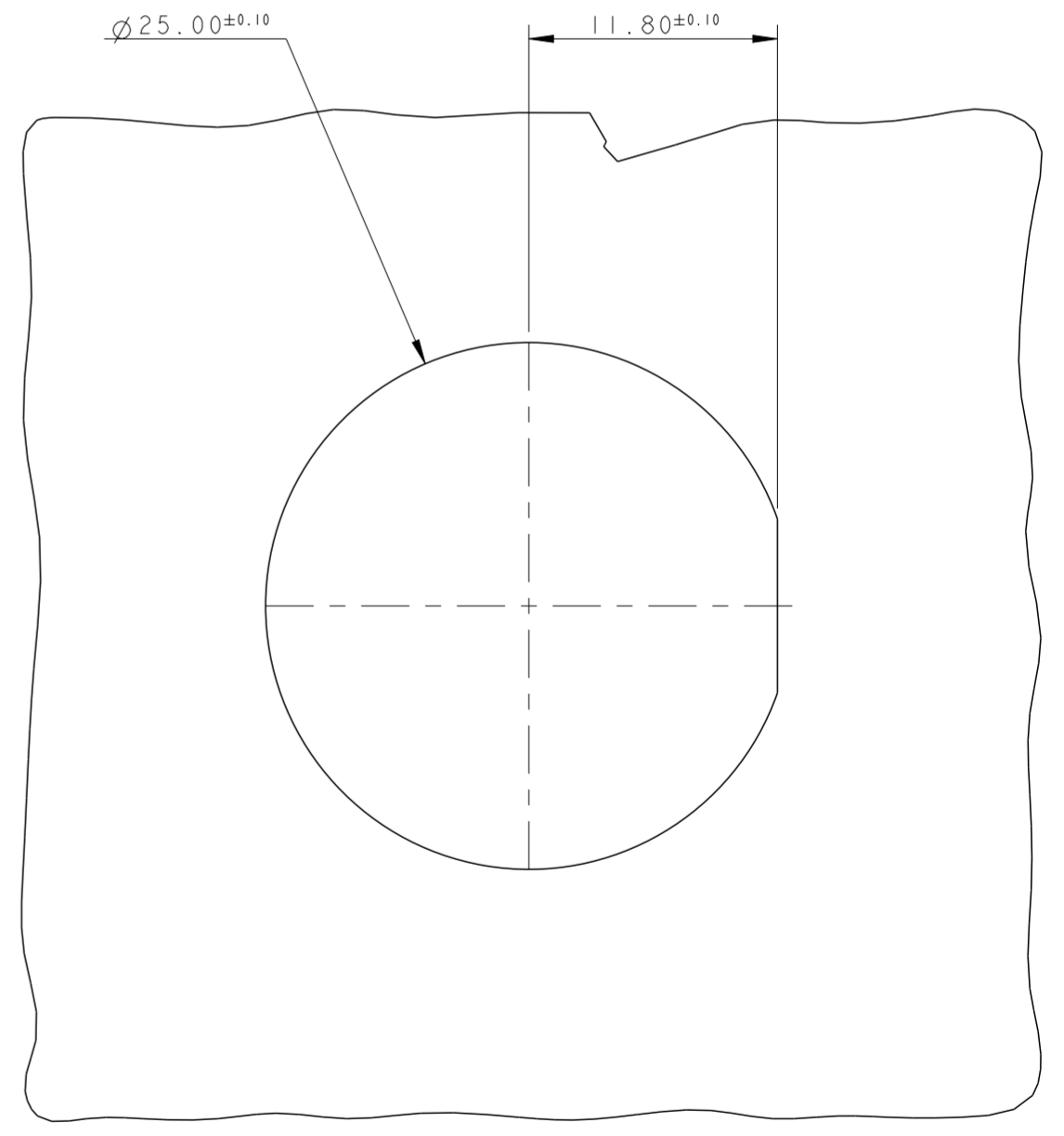
Customer Drawing SCALE: 3:1 SHEET 2 OF 3 REV A

THIS DRAWING IS UNPUBLISHED. RELEASED FOR PUBLICATION 2011  
 © COPYRIGHT 2011 ALL RIGHTS RESERVED.

LOC		DIST		REVISIONS			
P	LTR	DESCRIPTION	DATE	DWN	APVD		
-	-	SEE SHEET 1	-	-	-		



### PANEL/WALL SUGGESTED LAYOUT



THIS DRAWING IS A CONTROLLED DOCUMENT.		DWN M. ZUCCA 01APR2011	TE Connectivity	
DIMENSIONS: mm		CHK M. ZUCCA 01APR2011		
TOLERANCES UNLESS OTHERWISE SPECIFIED:		APVD G. TURCO 01APR2011	NAME PIN HOUSING PANEL MOUNT NECTOR* M-LINE 5 POLES UNSEALED VERSION	
0 PLC ± 1 PLC ±0.3 2 PLC ±0.20 3 PLC ± 4 PLC ±		PRODUCT SPEC -	SIZE A200779	
ANGLES ±3°		APPLICATION SPEC -	CAGE CODE C-293688	
FINISH		WEIGHT -	DRAWING NO G-293688	
MATERIAL -		Customer Drawing	RESTRICTED TO -	
		SCALE 3:1	SHEET 3 OF 3 REV A	